

## Product Applications:

WSD LED Flood Lighting series can be widely used in indoor or outdoor lighting (Wet location), like mechanical or electronic processing workshops, storage warehouses, steel mills, gas stations, toll booth, waiting rooms, the platforms of railway station, indoor stadiums and flower cultivating tents etc.

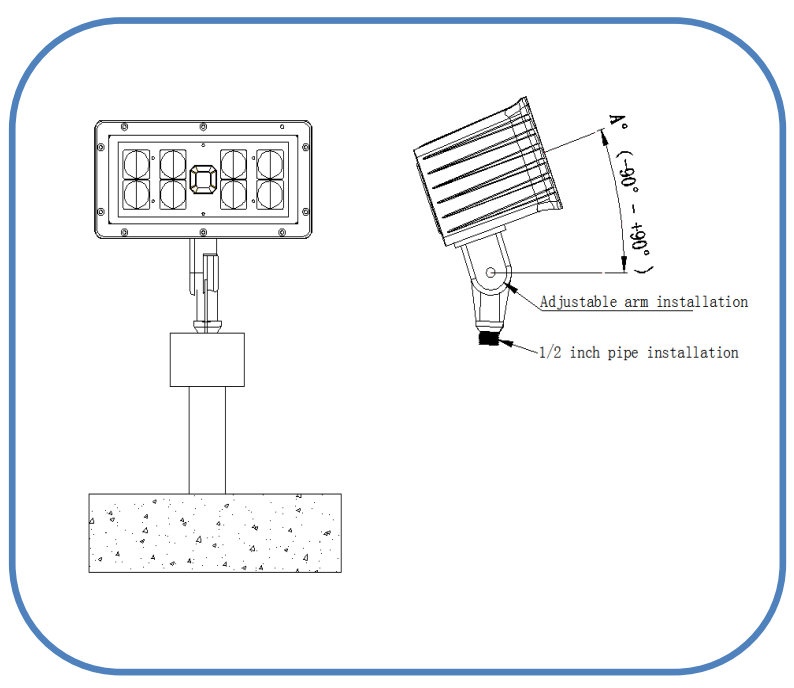
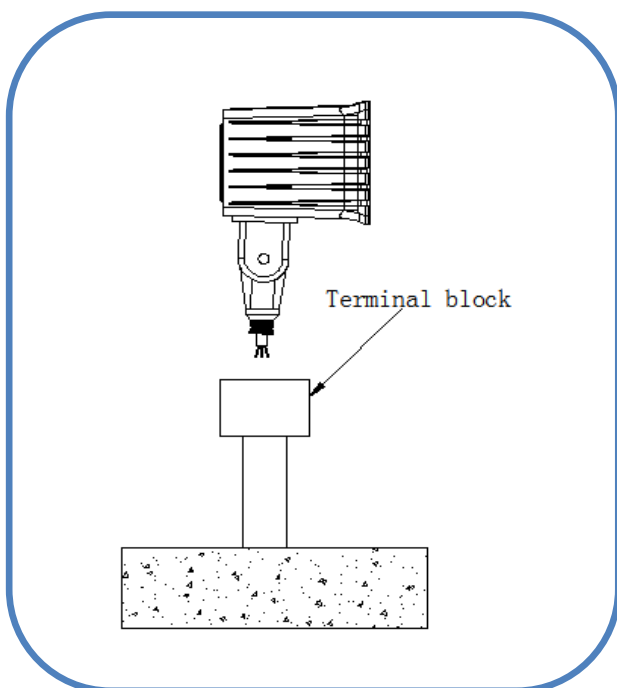
## K: Knuckle Mounted:

### Step 1:

Connect AC power wire, then twist the light into fixed 1/2 pipe.

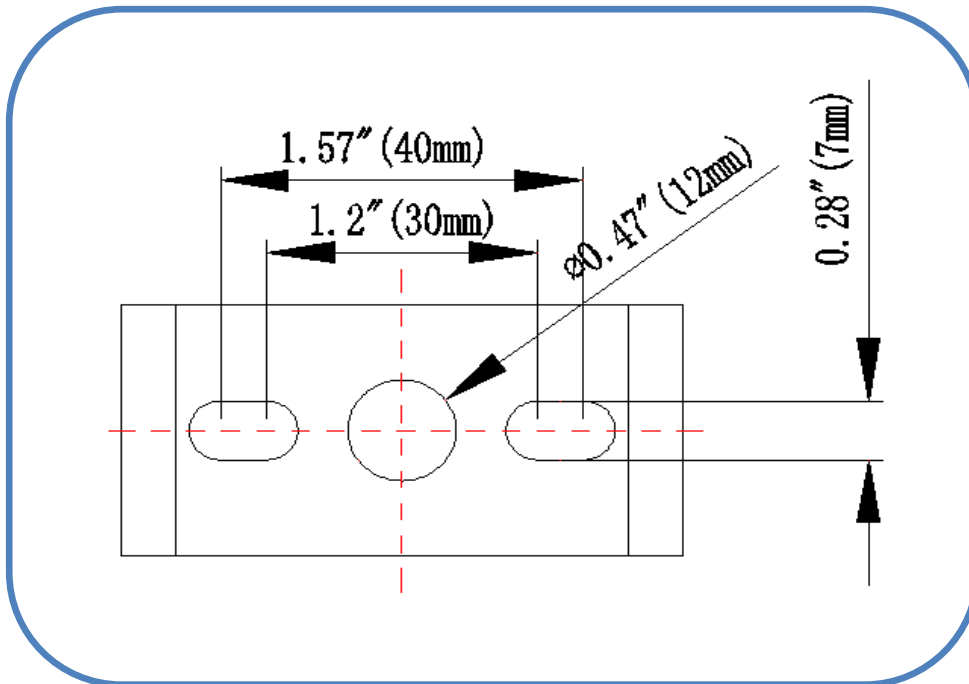
### Step 2:

After the angle of light set, fasten the screw in the middle of adjustable arm. Make sure all connection is fine, then installation is done.



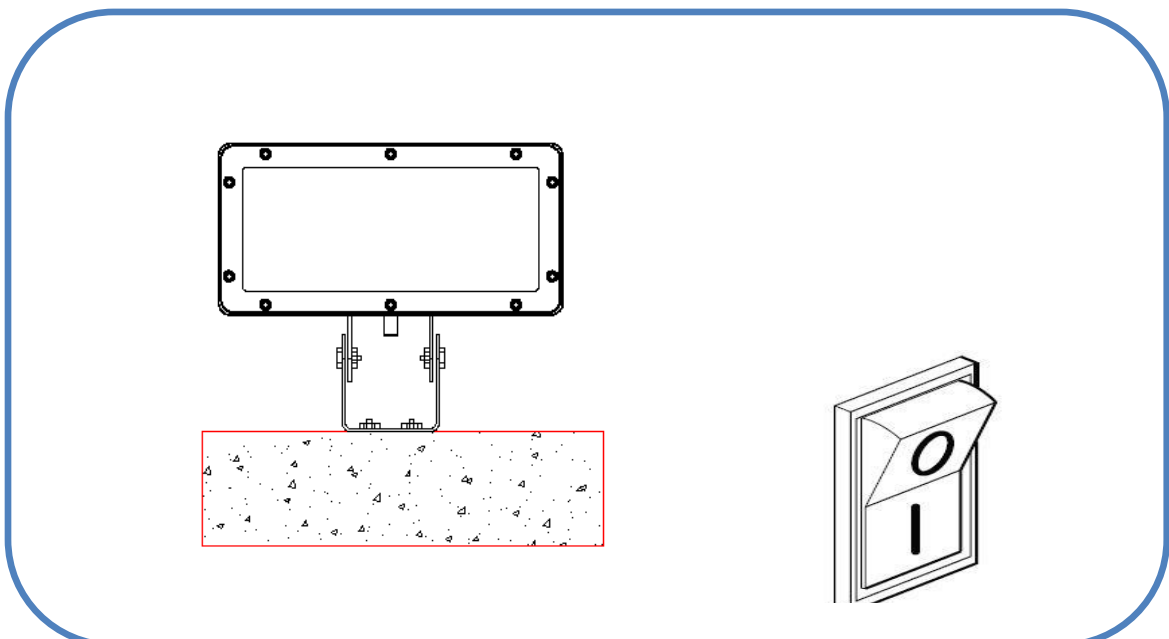
## T: Trunnion Mounted:

**Step 1: Drill two 8mm screw hole on the wall or ground, please make sure the position of the screw hole match with the following drawing.**



### Step 2:

Fixed the bracket on the screw hole, and adjust the angle of light according to your application, fasten the screw in the middle of adjustable arm. Make sure all connection is fine, then installation is done.



## ■ Quality Assurance

- Quality assurance is based on proper storage, transportation, installation, using and maintenance
- Damages caused by man-made mistake or improper use are not covered by the warranty
- During the warranty period, the manufacturer will provide appropriate support and repair service according to the actual situation

## ■ Safety Tips: non-professional personnel is not allowed to do the related operations

- Be careful about the hit or weight of products
- Handle gently in the process of installation and transportation
- Do not energize before completion
- Do not touch the lamp when lighting on
- General heat is normal situation when the fixture is lighting on

## ■ Warning

- The product must be installed according to the instructions. Installed by a person familiar with the product, production and product hazards
- Avoid fire and electric shock. When install the lighting fixtures, you need to understand the electrical characteristics. If you are not sure, do not attempt to install. Please contact the electrician
- Understand the structural features and dimensions of lighting before installation
- Do not drill holes or change internal lines when install